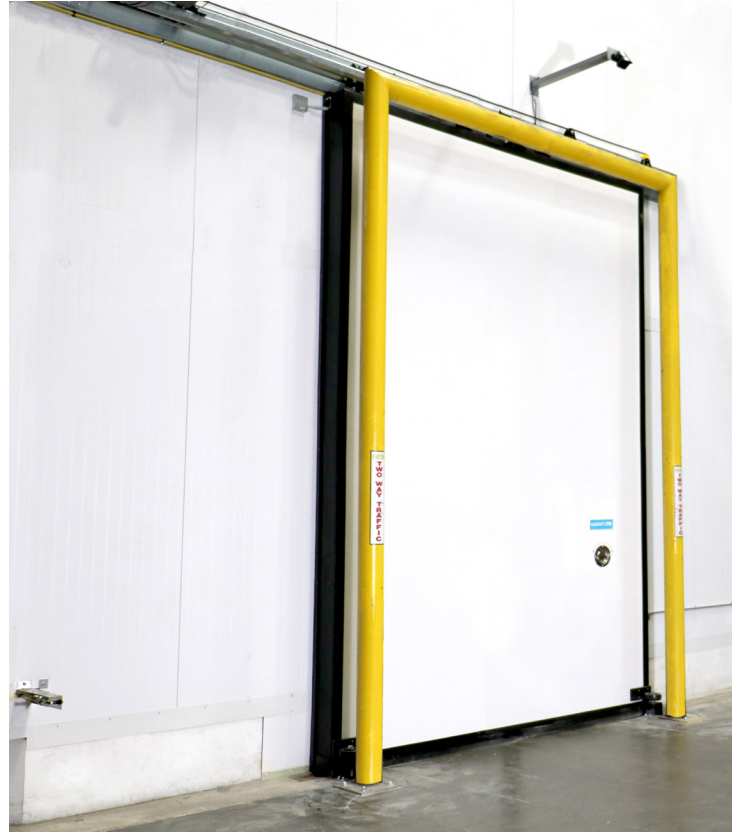


RS1100 Cooler

Product Specifications

DESIGN HIGHLIGHTS

- Opening Speed Up To 96" Per Second
- 4" Panel Thickness – R17, with a Compressible Close Cell EVA Foam Core
- White Thermoplastic Flexible Panel Outer Shell
- Polyurethane Elastomer Perimeter Panel Edge
- Full Perimeter Adjustable Gasket Seals
- Heavy-Duty Galvanized "Down and In" Track System
- Manual Panel Release Capability
- NEMA 4X Panel with Self Diagnostic Controller with HMI Display and E-Stop Button Included
- Standard Open/Close/Stop through HMI
- Time Delay Closing
- (2) Sets Of Through Beam Reversing Photo-Eyes
- Five-Year/One Million Cycle Limited Warranty on Mechanical Components And Door Controller
- Five-Year/One Million Cycle Limited Warranty on Mechanical Components and Door Controller
- Five-Year/Unlimited Cycle Warranty on EVA Foam Panels



Representative image only

4Front Engineered Solutions reserves the right to change specifications and designs without notice and without incurring obligations.

PROJECT INFORMATION

JOB NAME _____

ADDRESS _____

GENERAL CONTRACTOR _____

DISTRIBUTOR _____

MODEL _____ QUANTITY _____

CERTIFIED FOR CONSTRUCTION

BY _____

COMPANY _____

ADDRESS _____

DATE _____

CONTROLLER OPTIONS

- 230V - 1 PH
- 460V - 3 PH
- 480V Open Delta, Ungrounded
- NEMA 4X SS Control Box
- NEMA 4X Sloped Control Box
- NEMA 4X Composite Control Box
- Heated Control Box
- Heated Motor
- Heated Track

ACTIVATION BOX

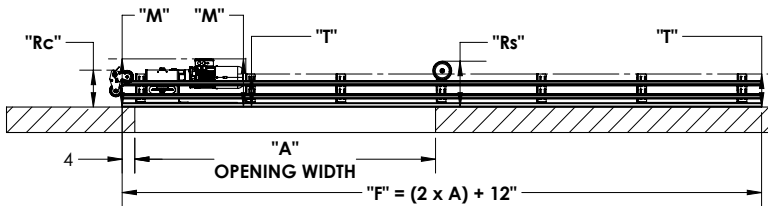
- Remote mounted push button NEMA4X
- (2) remote mounted pull cord NEMA4X
- (2) motion detectors
- (1) extended motion detector mounting bracket
- (1) loop detector
- Other _____

BLOWER OPTIONS

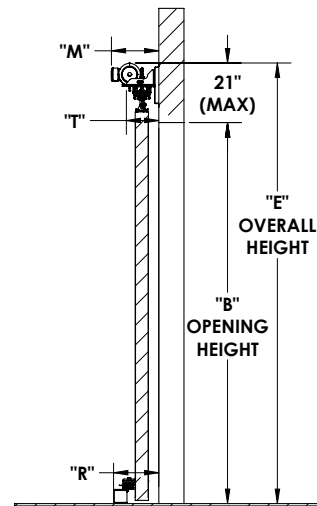
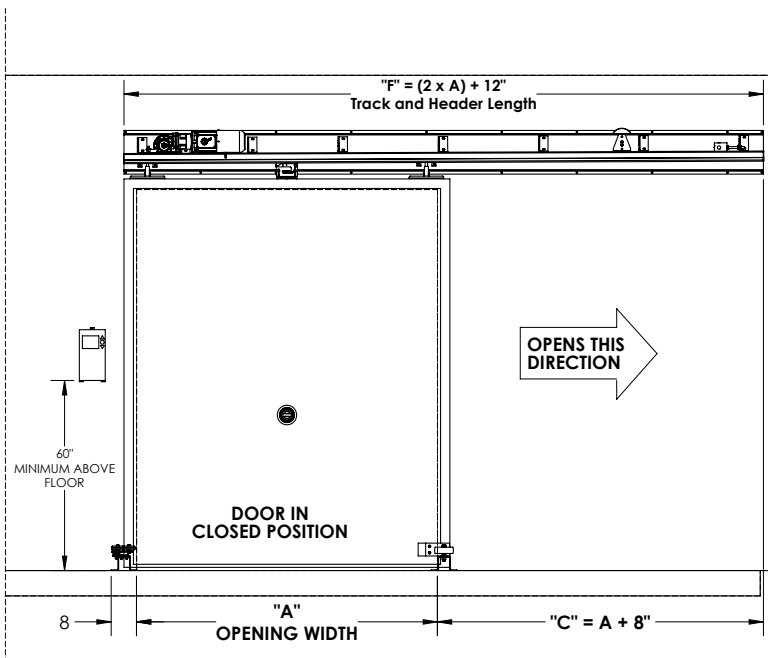
- Side mounted 18" fans with 42" arm
- Full Width Heated Defrost Blower
- Selector Switch - On No Heat/On Heat/Off

DOOR OPTIONS

- 6" Panel Thickness
- 8" Panel Thickness
- 10" Panel Thickness
- HDPE Mirror Image Header - need to develop
- HDPE Mirror Image Face Casings - need to develop
- Galvanized Rail and Operator Cover
- SS Rail and Operator Cover
- Blue Panel Color
- White Panel Color (standard)



	"M"	"T"	"Rs"	"Rc"
4" PANEL (R17)	15.25	10.5	14.5	11.75
6" PANEL (R25)	16.25	10.5	16.5	13.75
8" PANEL (R32)	17.75	13.75	18.5	15.75



Albany
 13850 101st Street, Suite B
 Kenosha, WI 53142
 866.836.7659
 www.albanydoors.us

4Front Engineered Solutions reserves the right to change specifications and designs without notice and without incurring obligations. 4Front Engineered Solutions products may be the subject of one or more U.S. and/or foreign, issued and/or pending, design and/or utility patents. Serco as word and logo are registered trademarks belonging to ASSA ABLOY Entrance Systems AB or other companies controlled by the same organization. All rights reserved.