

ALBANY RR3000 Series

SOPHISTICATED STYLE & SECURITY



Roll up doors at your service
www.albanydoors.us

ALBANY



ALBANY RR3000 Series

Fast. Stylish. Secure.

The RR3000 and RR3000 Vision high performance doors deliver superior security, elegant style and smooth, simple operation with fast opening speeds of up to 80" per second. The innovative DiscDrive technology and aluminum slats offer frictionless rolling for less wear and longer door life. The RR3000 series is ideal for high traffic areas, like parking garages and transportation facilities, and features a durable, low maintenance design.



WHY OUR DOOR

Superior Speed & Security

- Improve productivity and help keep buildings secure with fast opening speeds of up to 80" per second and closing up to 24" per second.
- Keep traffic moving with its patented design that provides hundreds of thousands of maintenance-free cycles and lower energy costs with its ultra-tight seal.

Attractive Aesthetic

- Features rigid aluminum slats that are made to be individually replaced quickly and easily, doubling as a visually appealing design and security feature.
- The **RR3000 Vision** offers clear, impact-resistant polycarbonate slats that provide a clear view of traffic on both sides of the door for safety.

Design That's Built to Last

- Offers reliable, low maintenance operation due to its innovative DiscDrive technology and durable aluminum slats.
- Light curtain safety system automatically detects objects in the doorway, reducing accidents and extending the door's lifetime.



Doors You Trust. Features You Can Count On.



Easy to Maintain Slats

Slats are designed to be individually replaced for an easy and fast fix. The door can even run with a missing slat, so there's minimal downtime for maintenance.



Patented DiscDrive Tech

Slats wind into the disc drive with contact free rolling, which helps the door operate quickly and smoothly, and there's no slat-on-slat contact, reducing excessive wear.



Modular Industrial Design

ACS100 controller provides an LCD screen with program and self-diagnostic functions. A separate industrial quality VFD ensures soft start and stop to reduce wear.

TECHNICAL INFORMATION

RR3000 Dimensions	Minimum Width: 7 ft Maximum: 16'4"W x 16'2.29"H
RR3000 Vision Dimensions	Minimum Width: 7 ft Maximum: 18'W x 16'2.29"H
Operational Speeds	Opening: Up to 80 in/second Closing: Up to 24 in/second
Side Frames	11 guage glavanized steel
Manual Release	Standard
Disc Drive	Reduces wear, vibration and noise
Top Roll	Painted Steel
Motor	1.5Hp, 3 phase, 50/60 Hz

DOOR CONSTRUCTION

Anodized Aluminum Slats	EPDM rubber connection
UltraLife Belts	No hinges or rollers. Door continues to operate when slat is missing
Counterbalanced	Standard
Optional	Vision, insulated, or ventilated panels

CONTROL & DRIVE SYSTEM

Control Panel	ACS100 Controller
Input Voltage	208-240 V, 440-480 V, 575-600 V
Limits Adjustments	At Kepad interface
Protection	NEMA-4

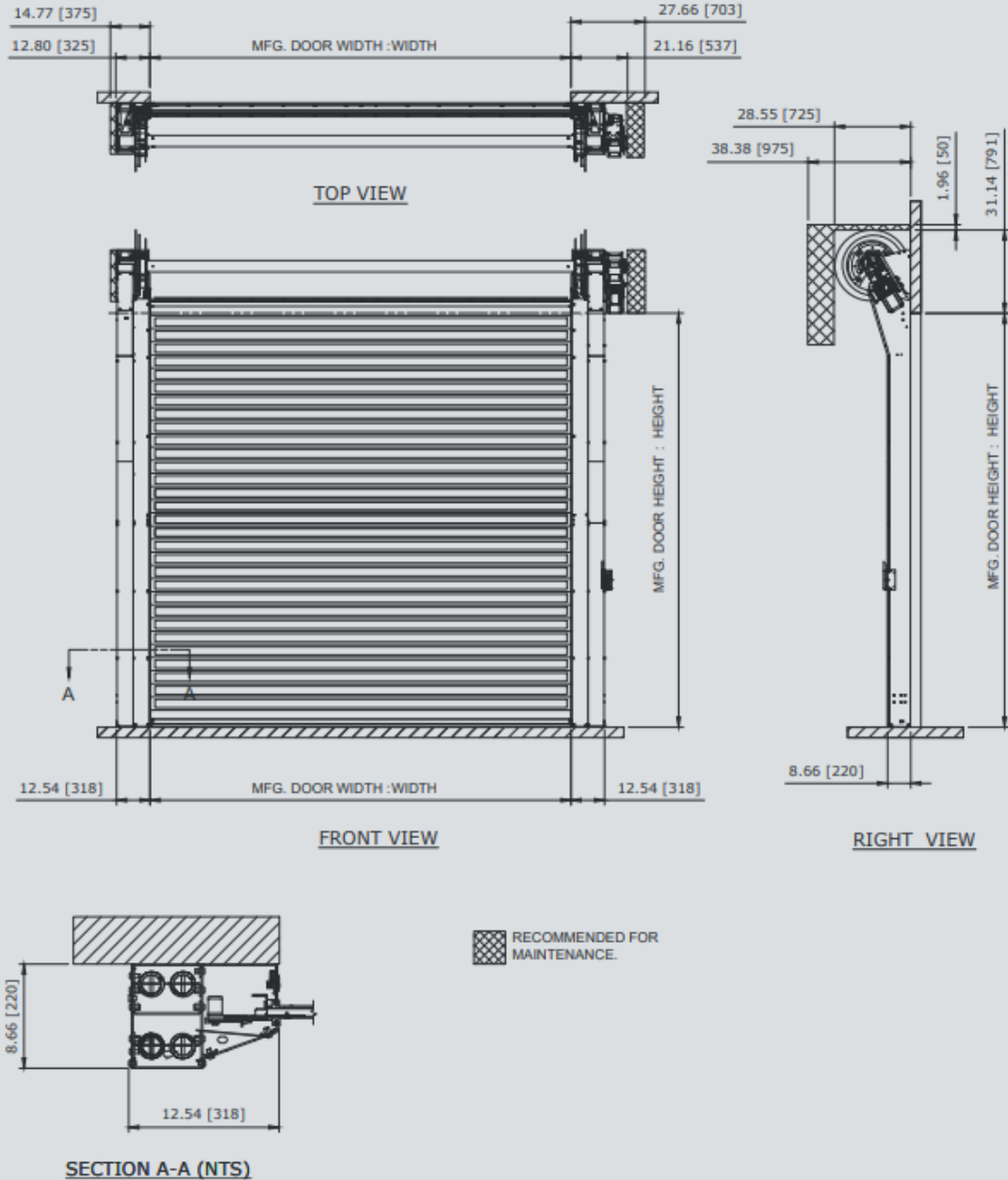
We offer various options and actuation devices.

The Albany Difference

From the inventors of the original Rapid Roll™ door, Albany High Performance Doors are strong, fast, and safe. With simplicity in design, few moving parts, and speed, our rapid roll doors maximize productivity and savings for our customers. Companies count on Albany due to our decades of experience, superior performance and products, and the global leader in entrance automation that stands behind us, 4Front Engineered Solutions.

RR3000 Series

SOPHISTICATED STYLE & SECURITY



Founded in 1895 as Albany International in the USA, Albany began manufacturing the first high-performance roll door in 1963. Today, Albany is the world leader in the production of high-speed and high-performance doors. Providing sophisticated products that are designed for a wide range of applications in various industries, Albany remains the original high-performance roll-up door.

Door specifications and technical data subject to change without notice.

© ASSA ABLOY. ALL RIGHTS RESERVED. Part of ASSA ABLOY.

ALBANY

935 Campus Drive
Mundelein, IL 60060
P: 1-800-459-1930
www.albanydoors.us