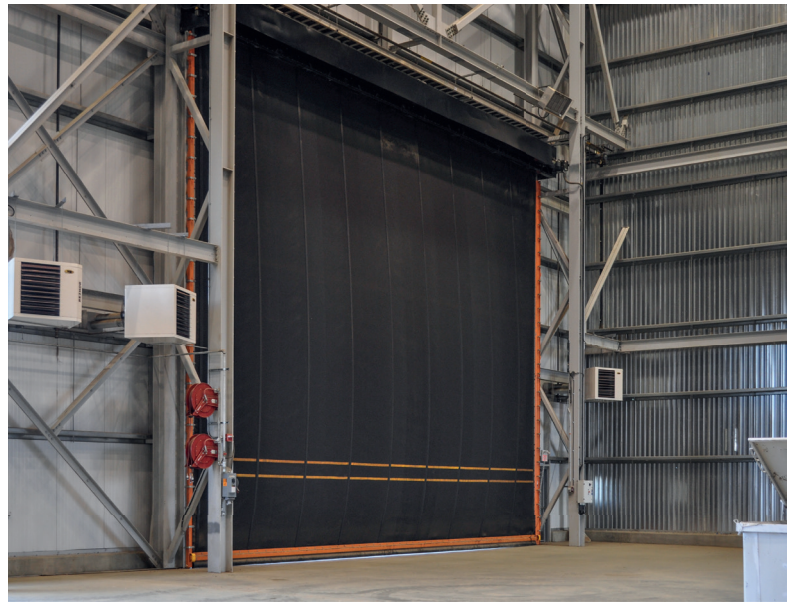


ALBANY RR1500 Tough

TOUGH AND RUGGED PERFORMANCE



ALBANY RR1500 Tough TOUGH AND RUGGED PERFORMANCE



When the going gets tough, you need the Albany **RR1500 Tough** high-performance door. The Albany RR1500 Tough can take a hit and hold up in the most rugged industrial applications, while flimsy conventional doors buckle under conditions.

The Albany RR1500 Tough comes with an ultra-strong rubber door panel. A heavy-duty self-supporting steel frame provides reliable support for the door.

A tough panel combined with our patented windlok guide system provides more resiliency against damage, extreme weather and high wind loads of up to 88 mph.

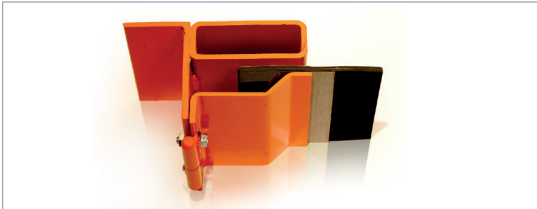
Chemical and corrosion resistant heavy-duty side frames ensure superb durability and performance in harsh environments.

Opening speeds up to 48" per second allow you to increase productivity and decrease energy costs.

When the door is closed, a near airtight seal is formed.

Even in a rugged industrial environment and thanks to the near airtight seal, the Albany RR1500 Tough protects people and materials from exposure to extreme weather and contaminants.

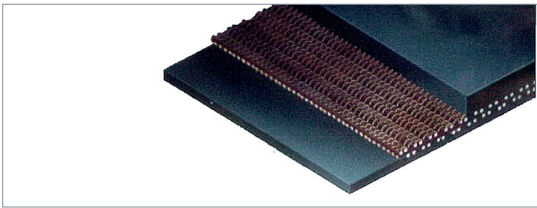
The curtain breakaway bottom beam of the Albany RR1500 Tough can be reset quickly without special tools.



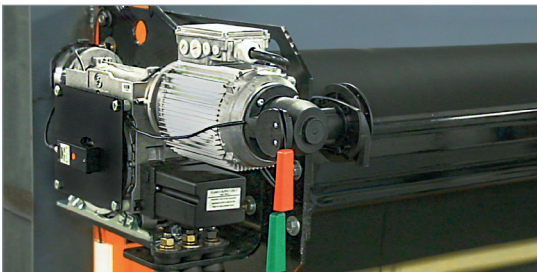
Self-supporting structural steel columns and header.



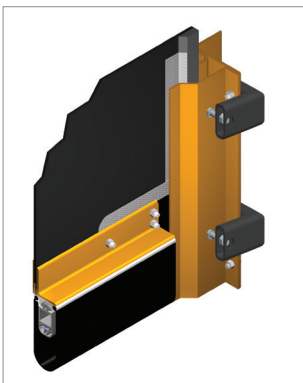
Optional TruckGuard safety system eliminates contact with objects in the doorway.



The 1/4" thick, two-layer SBR and high tensile strength rubber panel has a lifetime warranty.



Heavy-duty drive unit with horizontal positioning, absolute encoder and chain hoist included.



Continuous windlok handles high wind loads and positive and negative air pressure and can compress during accidental impact without damage.

Reliable windlok design produces a near airtight seal for climate control and energy savings in harsh environment.

OPENING SPEEDS	
Springless system	Up to 48" per second (size dependent)
Counterbalanced system	60" per second (size dependent)
DOOR DIMENSIONS	
Max height	20 ft (6096 mm)
Max width	24 ft (7315 mm)
Min height	5 ft (1524 mm)
Min width	5 ft (1524 mm)
SAFETY FEATURES	
Photo eye	Standard
TruckGuard light curtain	40 infrared through-beam optical sensors
DOOR PANEL	
SBR	2 layers of Styrene Butadiene Rubber (SBR) with polyester cord center
EPDM	Optional
MSHA	Optional
STATIC WIND RESISTANCE	
Windlok & guide system	20 psf (88 mph)
Wind gussets	30 psf (110 mph)
DOOR COMPONENTS	
Springless system	Horizontal direct drive unit
Side frames	Self-supporting, heavy-duty painted steel
Idler	4.5" diameter, 0.134" thick tube
Door Roll	8 5/8" diameter, 0.188" thick tube complying with ASTM A513
Bottom bar	Steel construction
Manual egress	Chain hoist
CONTROL AND DRIVE SYSTEM	
Input voltage	208-240 V, 440-480 V, 575-600 V, 3 phase
Motor	Up to 3.35-Hp, 3 phase, 60 Hz
ACS100 controller	VFD System
Protection	NEMA 4/12 cUL listed

We offer various options and actuation devices for all high-performance door products.

ALBANY RR1500 Tough TOUGH AND RUGGED PERFORMANCE



Founded in 1895 as Albany International in the USA, Albany began manufacturing the first high-performance roll door in 1963. Today, Albany is the world leader in the production of high-speed and high-performance doors. Providing sophisticated products that are designed for a wide range of applications in various industries, Albany remains the original high-performance roll-up door.

Door specifications and technical data subject to change without notice.

© ASSA ABLOY. ALL RIGHTS RESERVED. Part of ASSA ABLOY.

ALBANY 

935 Campus Dr.
Mundelein, IL 60060
P: 1-800-252-2691
www.albanydoors.us