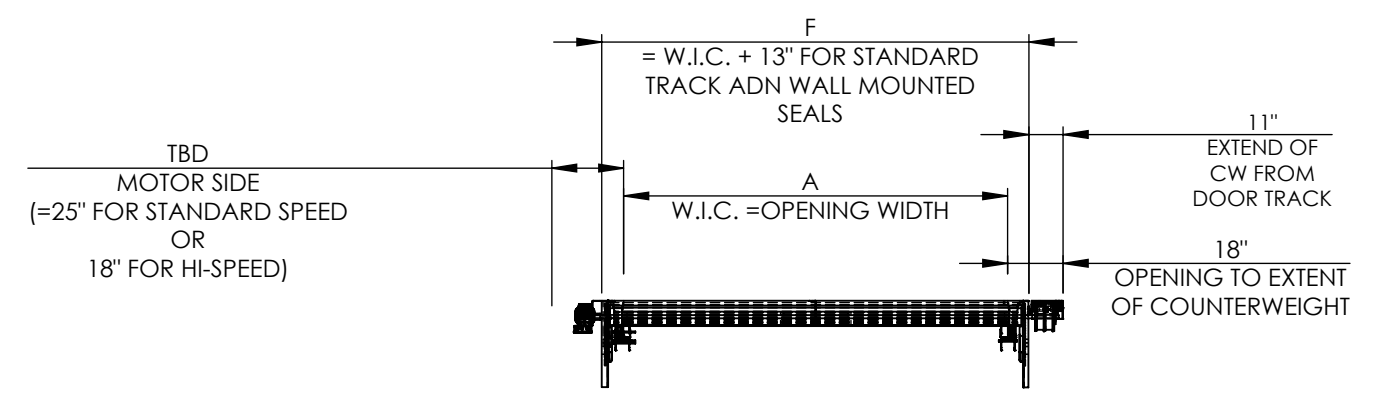


4

3

2

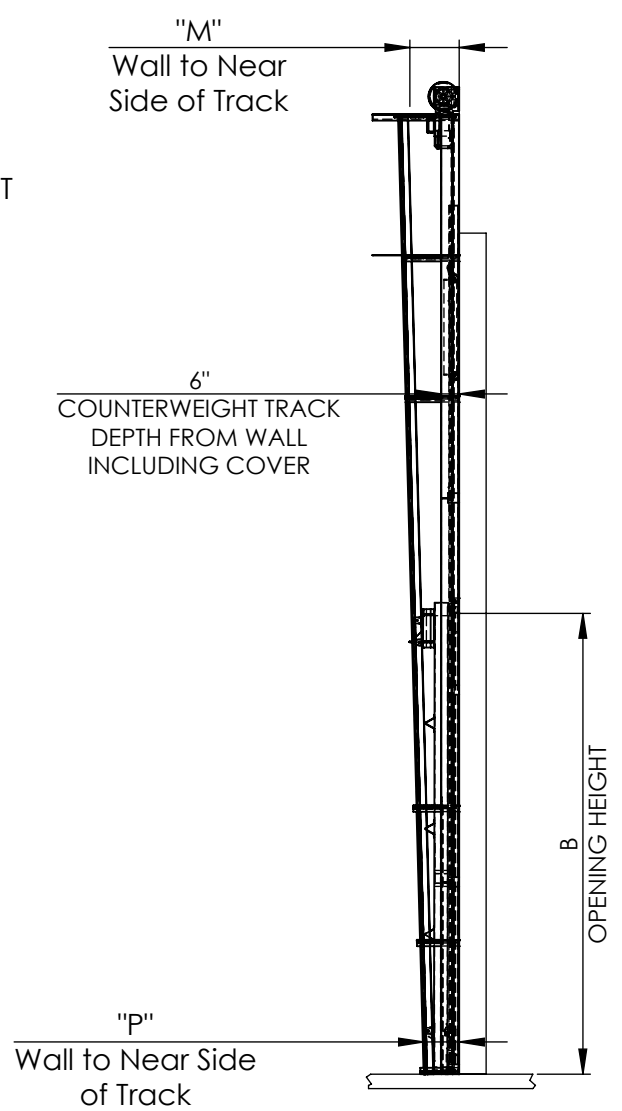
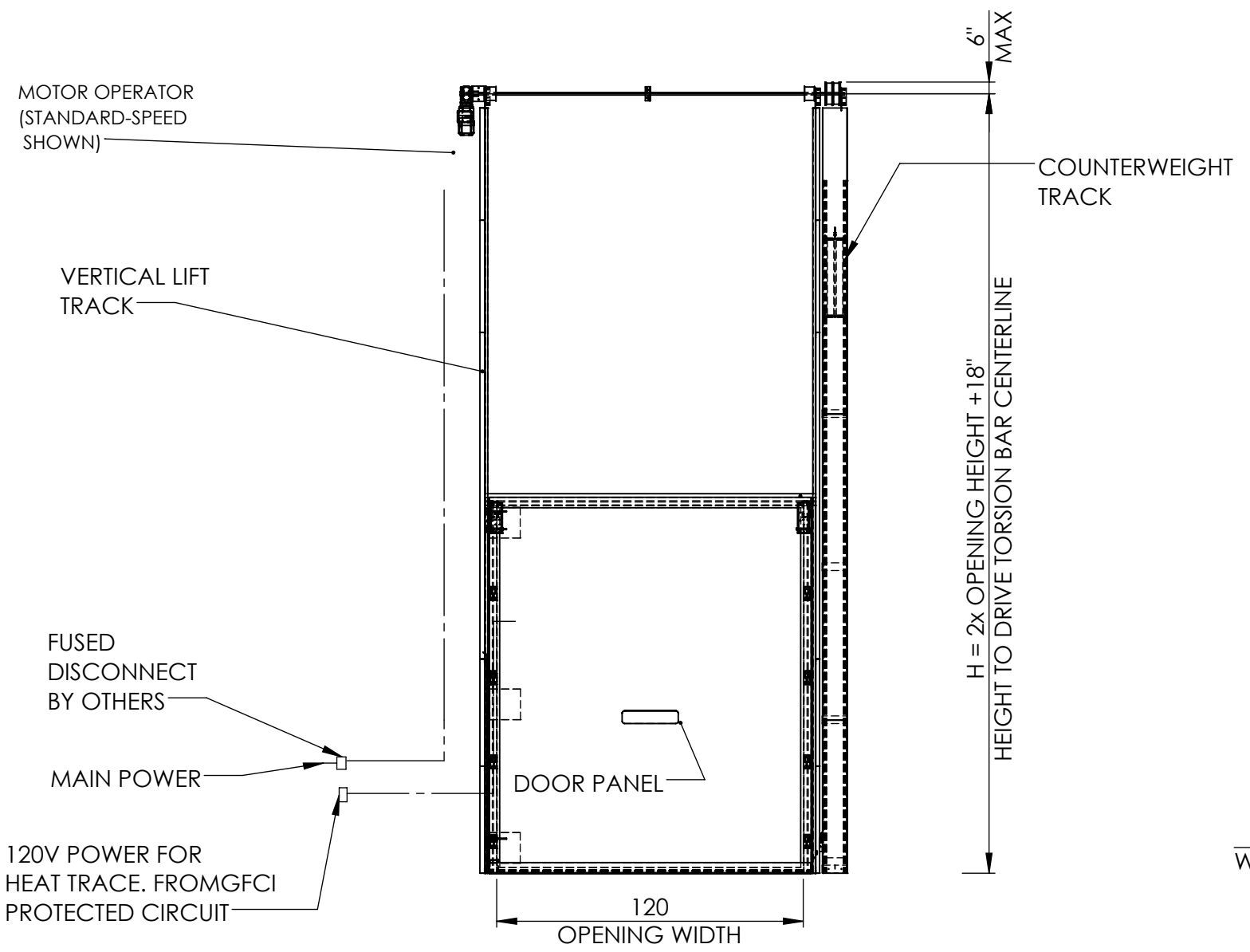
1



SELECT DRIVE SIDE (LEFT OR RIGHT)  
COUNTERWEIGHT TRACK ON OPPOSITE SIDE FROM DRIVE.  
LEFT SIDE DRIVE SHOWN ON DRAWING

B

B



A

A

	M	P
4" PANEL (R17)	14"	12"
6" PANEL (R25)	16"	14"

DRAWING NOT TO SCALE, ALL DIMENSIONS IN INCHES				
DOOR NO.	A	B	E	F
MODEL				
PANEL STYLE	DRIVE SIDE			
4" (R17)	<input type="checkbox"/> LEFT SIDE MOTOR			
6" (R25)	<input type="checkbox"/> RIGHT SIDE MOTOR			
OTHER _____				
ELECTRICAL OPTIONS				
<input type="checkbox"/> 460v - 3ph				
<input type="checkbox"/> 230v/208v - 3PH				
<input type="checkbox"/> 230v/208v - 1ph				
<input type="checkbox"/> 575v - 3ph				
<input type="checkbox"/> OTHER _____				
STANDARD FEATURES				
<input type="checkbox"/> 1 RYTEC SYSTEM 4 AC DRIVE AND CONTROLS				
<input type="checkbox"/> 2 TORSION BAR ASSEMBLY WITH BRACKETS & CABLE DRUMS				
<input type="checkbox"/> 3 COUNTERWEIGHT AND WEIGHT TRACK				
<input type="checkbox"/> 4 3" DOOR TRACK AND ROLLERS				
<input type="checkbox"/> 5 R17, 4" THICK PANEL				
<input type="checkbox"/> 6 TWO SETS OF THROUGH-BEAM PHOTO-EYES, FIELD INSTALLED, NOT SHOWN				
<input type="checkbox"/> 7 ADVANCED THERMOPLASTIC PANEL SURFACE				
<input type="checkbox"/> 8 ARMOR LOCK EDGE SEALS				
ACTIVATION				
<input type="checkbox"/> PHOTO-EYE				
<input type="checkbox"/> PULL CHORDS				
<input type="checkbox"/> MOTION DETECTOR				
<input type="checkbox"/> RADIO CONTROL				
<input type="checkbox"/> PUSHBUTTON				
<input type="checkbox"/> FLOOR LOOP				
<input type="checkbox"/> OTHERS (DESCRIBE IN NOTES)				
OPTION NOTES				
NOTES:				

TITLE:		
<b>RS3500 Vertical Lift Freezer Door</b>		
SIZE	DWG. NO.	REV
<b>B</b>	RS3500 VL_FD Dimension Dwg	<b>A</b>
SCALE: 1:60 WEIGHT:		SHEET 1 OF 2

4

3

2

1